



DEICING DEPOT

Your specialist for De-icing chemicals and equipment

www.deicingdepot.com

Operations and Parts Manual

DIDD275 12V Sprayer



Contents

	Warranty	3
Section 1	Disclaimer	4
Section 2	Safety and General Information	5
Section 3	Component Drawings	6
Section 4	Daily Operation and S.O.P.	11
Section 5	Maintenance Guidelines	12

LIMITED WARRANTY

Effective 1-year from purchase date

One Year Limited Warranty

Equipment is guaranteed to be free from defects for a period of 12 months from date of purchase. Equipment must be properly maintained (see exclusions), and used for the purpose for which it was designed.

Equipment which proves to be defective upon our inspection will be replaced or repaired free of charge, including return freight to customer. Our responsibility ceases upon delivery to common carrier and we do not, unless previously instructed, insure shipments beyond point of delivery to such carrier. No equipment will be accepted for return without a return authorization number. No allowances will be made for labor, loss of business or other expenses in making exchanges, replacements or repairs.

Who Benefits and How to File a Claim

This warranty only extends to the original purchaser of the product.

The purchaser shall immediately notify the Deicing Depot in writing of any claim under the warranty by setting forth the date of purchase of product, model, and serial numbers, and giving detailed description of the alleged defect including photographs of the specific defect. All repairs must be authorized by Deicing Depot prior to any work being performed.

Exclusions to Warranty

- 1.) Parts, components and accessories of a Deicing Depot product that were not manufactured by Deicing Depot.
- 2.) Accessories or services not furnished by Deicing Depot.
- 3.) Damage caused by carrying corrosive materials.
- 4.) Misuse or lack of proper maintenance— Deicing Depot has the right to refuse warranty work if proper documentation of periodic maintenance cannot be provided.

Disclaimers

Deicing Depot warrants its products and equipment only as stated in this warranty. Deicing Depot makes no other warranties, express or implied, and disclaims all other warranties, including any implied warranty of merchantability or fitness for any particular purpose. Deicing Depot's obligations are limited to those expressed in this warranty, and shall not be liable to the purchaser or any third party for any direct or implied, incidental or consequential damage or loss.

This warranty shall be enforced and constructed in accordance with the laws of Florida.

Section 1

Disclaimer

Disclaimer

- All safety procedures must be followed in addition to those included in this manual.
- Wear safety glasses and all other PPE (Personal Protective Equipment) as per local, state and federal regulations during all aspects of spray rig operation.
- Deicing Depot is not responsible for the content of chemicals used in tanks.
- Deicing Depot is not liable for cross contamination in tanks.
- Operator must use caution when filling the tank to prevent overfilling the tank.
- Owner/operator is responsible for following all local, state and federal regulations for the chemicals used during the operation of this spray rig.
- MSDS sheets and products data sheets for chemicals used are the responsibility of the owner/operator.
- All chemicals used must be disposed of in accordance with all local, state, and federal regulations.

Section 2

Safety and General Information

Safety Information

These instructions are for your safety and the safety of the end user. Read them carefully until you understand them.

General Safety Information

To prevent injury to yourself and/or damage to the equipment:

- Read carefully all owners' manuals, service manuals, and/or other instructions.
- Always follow proper procedures, and use proper tools and safety equipment.
- Be sure to receive proper training.
- Never work alone while under a vehicle or while repairing or maintaining equipment.
- Always use proper components in applications for which they are approved.
- Be sure to assemble components properly.
- Never use worn-out or damaged components.

Damaged components or equipment could malfunction causing serious personal injury to the vehicle, operator, or to others nearby.

Section 3

Component Drawing

Item Number	Document Number	Title	Quantity
1	DIDD275	DI PLUMB PLATE 12V,7GPM	1
2	DIBOOMH-ECO	DI BOOM - 7 FT/7 NOZZLES	1
3	DIHANDWND	HAND SPRAYER WAND	1

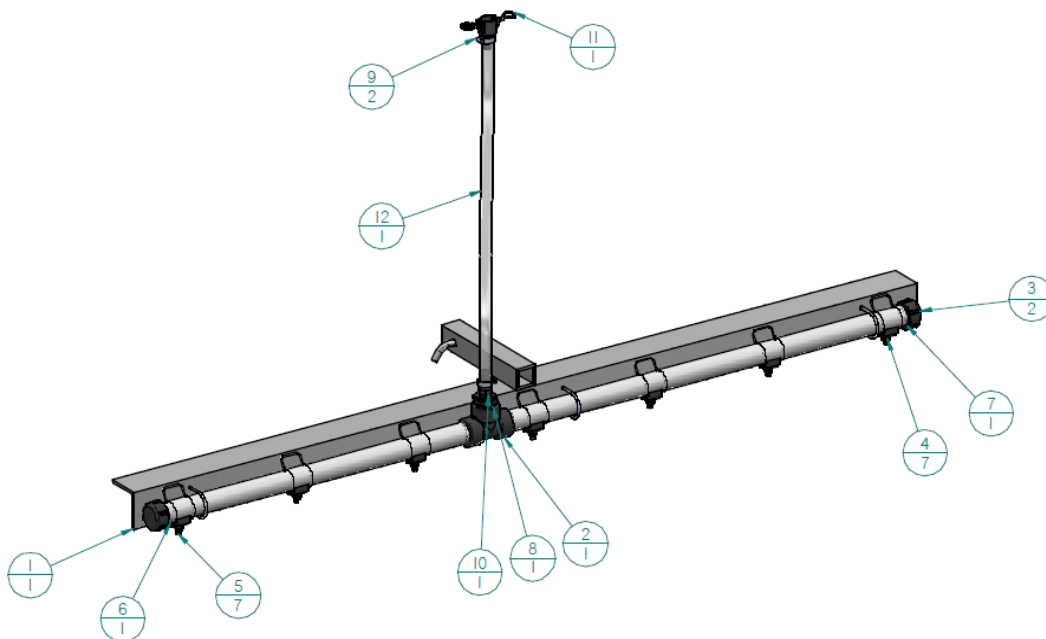
NOTES:

PHONE 954-781-9200		
DEICING DEPOT		
WWW.brinemadeasy.com		
TITLE		
DI SPRAYER W/BOOM		
SIZE	DWG NO	REV
B	DIDD275	00
COMPONENT DRAWING		
SCALE: N.A.	LAYOUT SHEET	SHEET 1 OF 5

M:\ENGINEERING\COMPONENTS\DI\2013-D\DI SKIDS\DIDD275W_BM_DD.dft

Item Number	Document Number	Title	Quantity
1	DIBOOM/HFR-ECO	DI BOOM FRAME "H"	1
2	BTEE150	1 1/2 POLY TEE	1
3	BCAP150	1 1/2 POLY CAP	2
4	BX1.5K-.3	CLIP ON THREADED ADPT, 1/4" FPT	7
5	SH1/4U-SS0060	VEEJET NOZZLE SS	7
6	D914A	1 1/2 X 3/4 SCH80 PVC PIPE/THRD	1

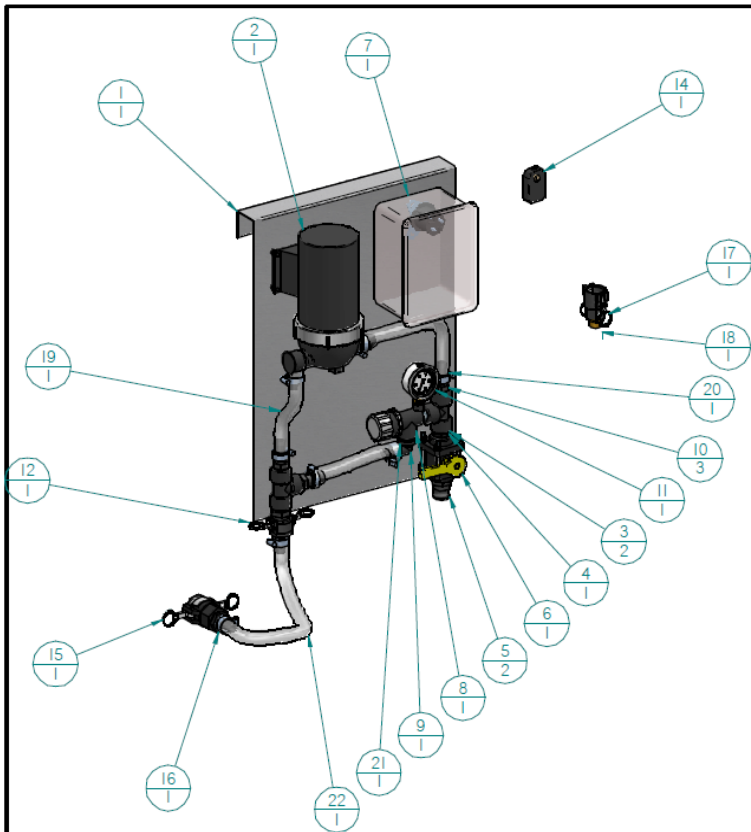
Item Number	Document Number	Title	Quantity
7	D914A	1 1/2 X 44 SCH80 PVC PIPE/THRD	1
8	BRB150-075	1 1/2X3/4 POLY RB	1
9	HZ953	3/4-5/8 HELICAL GEAR CLAMP	2
10	BHB075	3/4 MPT X 3/4 HB	1
11	B075C	3/4 F CPLR X 3/4 HS	1
12	HZ933	3/4" X 60" REINFORCED HOSE	1




PHONE 954-781-9200

DEICING DEPOT		
WWW.brinemadeasy.com		
TITLE		
DI SPRAYER W/BOOM		
SIZE	DWG NO	REV
B	DIDD275	00
COMPONENT DRAWING		
SCALE: N.A.	LAYOUT SHEET	SHEET 2 OF 5

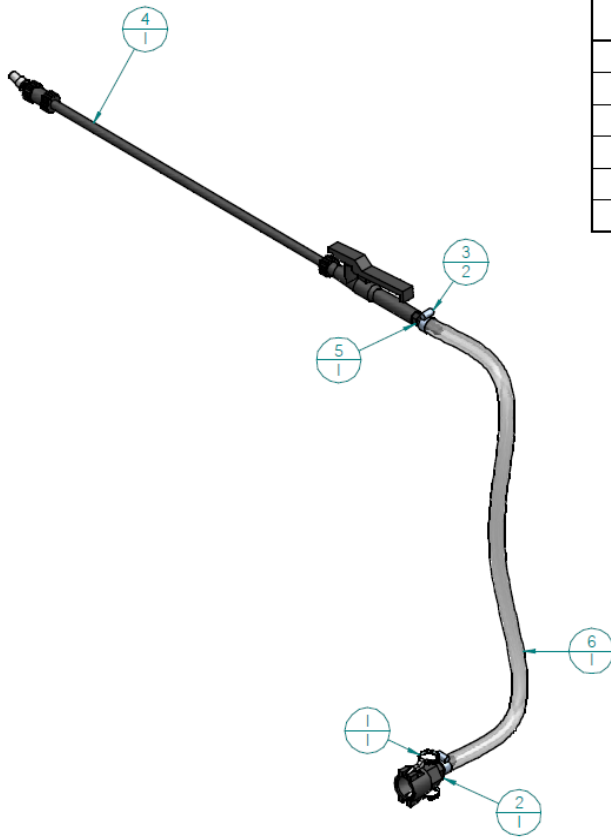
M:\ENGINEERING\COMPONENTS\DI\2013-D\DI SKIDS\DIDD275W_BM_DD.dft



Item Number	Document Number	Title	Quantity
1	I2V PUMP PLATE	18 X 1/8 X 28 PLATE AL	1
2	PI400	FLOJET,12V,7GPM,DIAPH PUMP	1
3	BTEE075	3/4 POLY TEE	2
4	BNIP075-SH	3/4 CL POLY NIPPLE	1
5	B075F	3/4 M ADPT X 3/4 MPT	2
6	BV075	3/4 POLY BALL VALVE	1
7	AAJ806HPL	8 X 6 ENCLOSURE	1
8	S23120A-3/4-PP	PRES.RELIEF VLV PP, VIT. ORING	1
9	BHB07590	3/4 M THRD X 3/4 HS 90	1
10	BHB075	3/4 MPT X 3/4 HB	3
11	M201	0-100 WET GAUGE	1
12	B075C	3/4 F CPLR X 3/4 HS	1
13*	HZ953	3/4-5/8 HELICAL GEAR CLAMP	8
14	AARF7771938	12 VOLT WIRELESS CONTROL	1
15	BI00D	1 F CPLR X 1 FPT	1
16	BHB100-075	1 MT X 3/4 HB	1
17	B075D	3/4 F CPLR X 3/4 FPT	1
18	FB404	MGHT X3/4MPT BRASS	1
19	HZ933	3/4" X 10" REINFORCED HOSE	1
20	HZ933	3/4" X 14" REINFORCED HOSE	1
21	HZ933	3/4" X 8" REINFORCED HOSE	1
22	HZ933	3/4" X 60" REINFORCED HOSE	1

 CHEMICAL CONTAINERS, INC. LAKE WALES, FLORIDA 33859 TEL: 863-638-1407 FAX: 863-638-1863	TITLE: DIDD275 - DI SPRAYER W/BOOM				DATE RECIEVED: _____ APPROVED: _____ REJECTED: _____ CCI USE ONLY	
	SCALE: N.A.	CNC AND BEND SHEET	SHEET 3 OF 5	DRAWN BY: gchavis	10/Oct/14	REVISION: 00

M:\ENGINEERING\COMPONENTS\DI\2013-D\DI SKIDS\DIDD275W_BM_DD.dft



Item Number	Document Number	Title	Quantity
1	B075D	3/4 F CPLR X 3/4 FPT	1
2	BHB075-050	3/4M THD X 1/2 HS	1
3	HZ952	1/2 HELICAL GEAR CLMP	2
4	S22670PP241/4	TRIGJET SPRAY GUN VI	1
5	BHB025-050	1/4" MPT X 1/2" HB	1
6	HZ931	1/2" X 25 FT REINFORCED HOSE	1

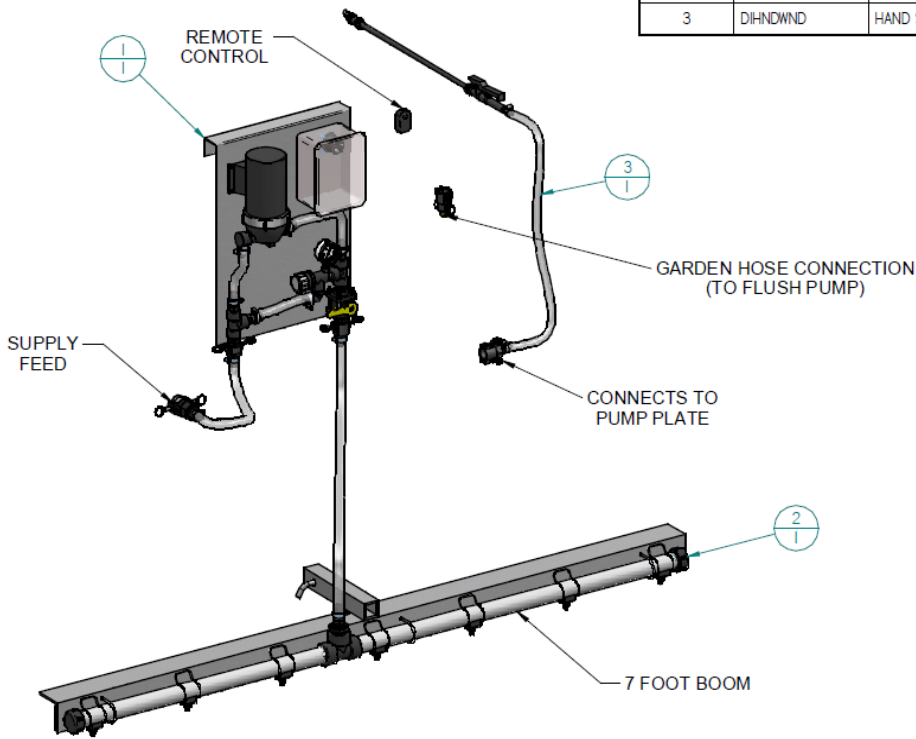
PHONE 954-781-9200

DEICING DEPOT		
WWW.brinemadeeasy.com		
TITLE		
DI SPRAYER W/BOOM		
SIZE	DWG NO	REV
B	DIDD275	00
COMPONENT DRAWING		
SCALE: N.A.	LAYOUT SHEET	SHEET 4 OF 5

M:\ENGINEERING\COMPONENTS\DI\2013-D\DI SKIDS\DIDD275W_BM_DD.dft

NOTE:
HOSES ARE NOT TO SCALE

Item Number	Document Number	Title	Quantity
1	DIDD275	DI PLUMB PLATE 12V,7GPM	1
2	DIBoomH-ECO	DI BOOM - 7 FT/7 NOZZLES	1
3	DIHNDWND	HAND SPRAYER WAND	1



PHONE 954-781-9200

DEICING DEPOT		
WWW.brinemadeeasy.com		
TITLE		
DI SPRAYER W/BOOM		
SIZE	DWG NO	REV
B	DIDD275	00
COMPONENT DRAWING		
SCALE: N.A. LAYOUT SHEET SHEET 5 OF 5		

M:\ENGINEERING\COMPONENTS\DI\2013-D\DI SKIDS\DIDD275W BM DD.dft

Section 4

Operation

Operating the Equipment

1. Visually inspect tank, hoses and pump, and fittings for leaks and worn or broken parts. Be sure the line flow valve is closed prior to cleaning strainer basket.
2. Unscrew and remove large plastic nut on end of strainer.
3. Remove strainer basket. Clean screen and check for torn or damaged screen and O-rings.
4. Reinstall strainer basket assembly, tighten large outer nut.
5. Start 12V pump by using the remote button. The pump should start circulating material.
6. Once items 1 through 5 are completed, you are ready to operate the system.

CAUTION-WARNING: Do not run pump dry, restrict or reduce port sizes or dead head pump. This could cause component failure to the pump.

7. With the system circulating material you can now open the valve to the boom.
8. Adjust flow using the regulator and watching the gauge. When the desired flow to the boom is reached lock the adjustment cap on the regulator.
8. At completion of application turn off the pump and close in-line flow valve

Steps For Applying Brine

1. Attach 12 volt Pump assembly to Brine holding tank of choice that is loaded on vehicle of choice.
2. Insure 12 volt power supply is at rear of vehicle; connect to Pump assembly with provided connections.
3. Connect suction hose to holding tank and intake side of Pump assembly.
4. Connect discharge boom hose to Spray Boom receiver that is securely inserted into vehicle receiver.
5. Turn on Pump to prime and insure all air is out of system.
6. Close the discharge ball valve and adjust pressure regulator device to read 60 PSI of static pressure, turn system off and tighten the pressure regulator locking ring.
7. Open discharge ball valve, begin driving vehicle with pump assembly turned on at a speed of 8 to 10 MPH.

Option 1: If using the supplied side walk hose, disconnect boom hose and connect sidewalk hose.

Option 2: if using the upgraded hose reel (separate purchase), disconnect boom hose and connect hose reel hose.

Section 5

Maintenance Guidelines

Wear Safety Glasses For All Steps!

Capture All Fluids in a Suitable Container!

Use Proper Tools When Performing Maintenance!

Use Caution When Moving Around and Under Vehicle!

Deicing Depot assumes no responsibility for improper maintenance: improper techniques or the use of improper tools and products. At all times proper vehicle placement: tools: catch pans and safety procedures must be used.

Spray rig maintenance, as well as proper vehicle maintenance is a must to ensure a productive spray season. The following items are guidelines and in no way encompasses the entire aspect of equipment maintenance. If in doubt about certain procedures refer to the parts break down for that item or contact Deicing Depot for more information.

DAILY

Inspect pump for any leaks or unusual wear

Check hoses for chaffing or wear

Check electrical connections

Physically operate all valves controls

Check tanks for leaks

During operation, listen for unusual noises or vibration

Report any mechanical problems to supervisor

TO PROTECT AGAINST SERIOUS INJURY, NEVER SPRAY FLAMMABLE LIQUIDS, OR FLUSH PUMP WITH FLAMMABLE LIQUIDS! THIS WILL VOID ANY AND ALL WARRANTIES.